



Purge Port for Glass Spheres

PP-101



Our patented self-sealing Purge Port for Glass Spheres are used with the Global Ocean Design Deck Purge Box to remove moisture and perform a vacuum leak test.

Once the Purge System Connector is removed, a check valve inside the Purge Port closes, sealing the partial vacuum inside the sphere, providing time to carefully clean, inspect, and lightly grease the included Ti 6-4 Pressure Proof Cap (PP-103), the o-ring and end cap surface prior to final assembly.

Large UNF threads reduce potential cross threading and damage from over-torqueing. Parts exposed to seawater are made from Ti 6-4, with an individual serial number and each is tested to 10,000 psi.

Key Features:

- Includes the Titanium Pressure Proof Cap (PP-103-Ti)
- Individually pressure tested with certification
- Individually serialized
- Spare o-rings included

Notes:

- Requires a Deck Purge Box (DPB-107), or a Purge System Connector (PP-127)

globaloceandesign.com

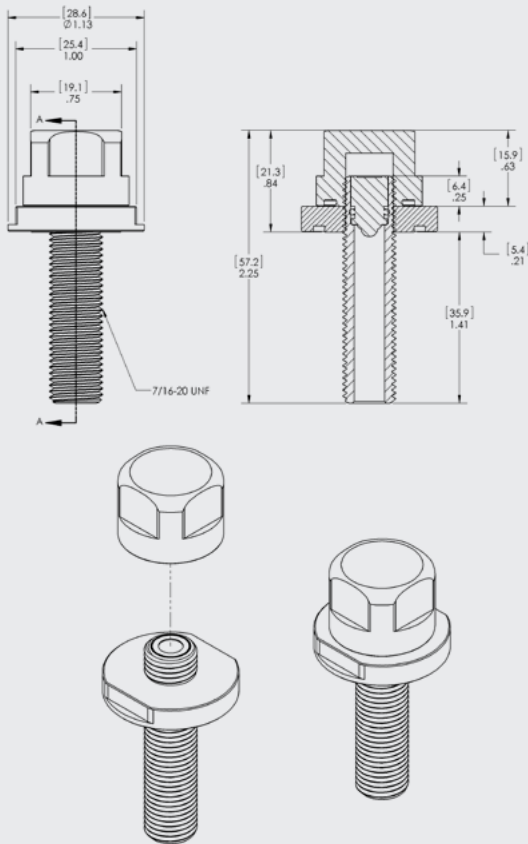
info@globaloceandesign.com

858.560.1799

7955 Silverton Ave., Suite 1208
San Diego, CA 92126

Purge Port for Glass Spheres

PP-101



Specifications

- Ti 6-4 for all metal exposed to seawater
- Requires a clearance 7/16" (29/64"D) thru-hole with a 1" spotface
- 3/4" wrench flats on cap
- 1" wrench flats on body for installation
- Interior fastener hardware includes nylon and SS flat washers, SS lock washer and hex jam nut
- O-ring: body 2-018-70; cap 2-015-70
- Individually tested to 10,000 psi; for deeper depth rating, contact factory
- Used with the Global Ocean Design Deck Purge Box (DPB-107) or a Purge System Connector (PP-127)

Companion Products:



Deck Purge Box

DPB-107



Purge System Connector

PP-127